

## HOBIE CLUB WAVE PARTS

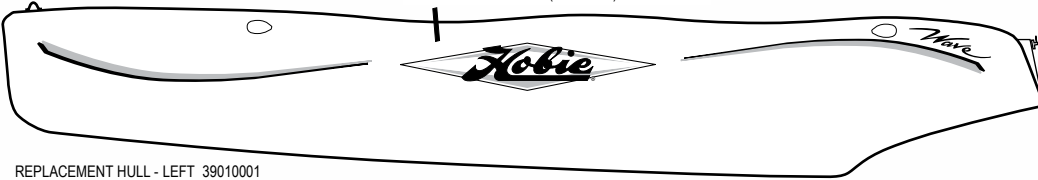
### WAVE VERSION NOTES:

**CLUB WAVE** - THREE PIECE TRAMPOLINE, SHROUDS AND BRIDLES CONNECT WITH CLEVIS PINS.

**CLASSIC WAVE** - ONE PIECE TRAMPOLINE, SHROUDS AND BRIDLES CONNECT TO HULL WITH HOOKS.

BRIDLE  
EYESTRAP  
38120011

SCREW  
8030331



REPLACEMENT HULL - LEFT 39010001  
REPLACEMENT HULL - RIGHT 39020001

ANCHOR PLATE 39100011 (PAIR)  
SCREW 8030331  
PUSH-IN PANEL RIVET (INBOARD) 38120031

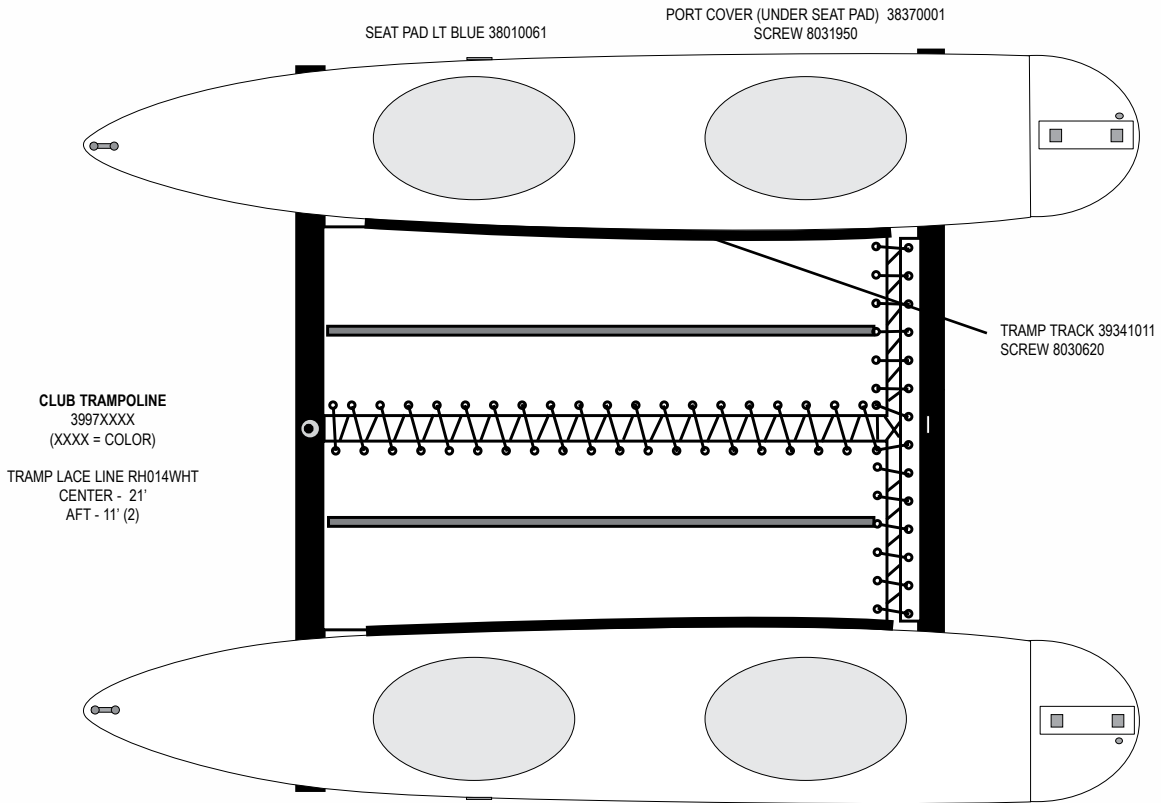
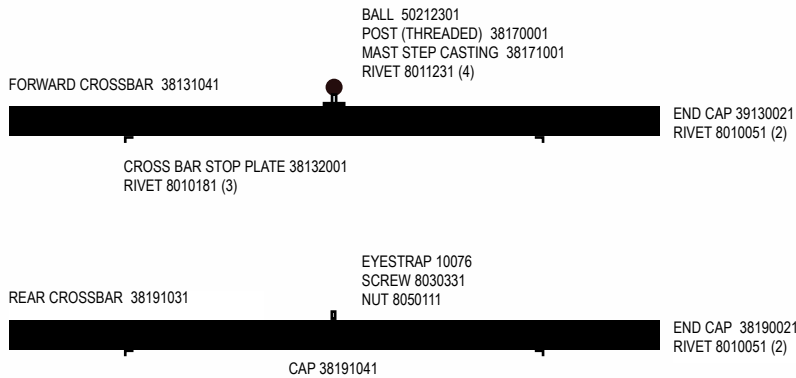
DECALS -  
12450015 "CURLS" COMPLETE SET  
12450017 "WAVE" EACH  
12451031 "HOBIE" DIAMOND 36" TURQUOISE EACH

EZ LOC RUDDER PINTLES  
UPPER PINTLE 90880211  
LOWER PINTLE 90880221

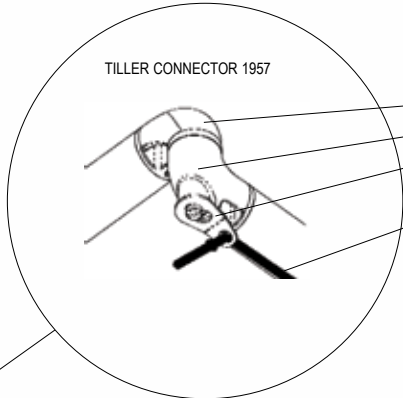
SCREW 8030171  
SCREW (2009+) 8030331



DRAIN PLUG  
W/ GASKET 10091000



TILLER CROSSBAR - EZ LOC 39524001 (67" TUBE)



TILLER CONNECTOR 1957

- END CAP - WITH PIN 37561203
- END CAP - THROUGH HOLE 37561200
- TILLER CONNECTOR RETAINER 40590001
- SHOCK CORD (10") RS316BLK
- SCREW 8031151
- RIVET 8010261

**EZ LOC RUDDER ASSEMBLY**  
39312000

TILLER ARM  
39382011

UPPER BOLT 8040391  
NUT 8050331

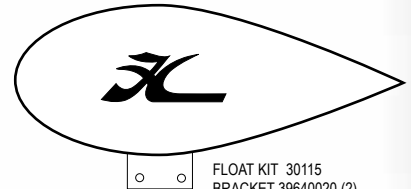
RETAINER CLIP EZ LOC RDR HOUSING 90880231  
BUNGEE (3/16" X 10") RS316BLK

EZ LOC HOUSING 50313001  
LOWER BOLT 8040321  
WASHER 8080671  
NUT 8050331  
EZ LOC PLUNGER 20492021

RUDDER LINKAGE (2)  
50313201  
TUBE RIVET  
50313301

UP-LOCK PIN KIT  
50314001  
(PIN, LANYARD 37661091,  
2-RING 20860000)

EZ LOC  
RUDDER  
BLADE  
20491000



FLOAT KIT 30115  
BRACKET 39640020 (2)  
SCREW 8032011 (4)

MAST HEAD ASSY 10602111  
RIVET 8010131 (2)  
SHEAVE 20614210 (2)  
SPACER 20614231 (2)  
CLEVIS PIN 8020340 (2)  
LOCK RING 10860001 (2)

MAST ASSEMBLY 38581041  
COMPTIP 38582100  
LOWER MAST 38583141

HALYARD HOOK 10680000  
RIVET 8010181 (2)  
CAP 8011291 (2)

LUFF TRACK  
38584001

HALYARD  
38651001

MAST TANG 10690000  
RIVET 8010181 (6)  
CAP 8011291 (6)

FOAM PLUG  
10060000

DANGER LABEL / WATCH FOR  
WIRES 13440010

MAST CAUTION LABEL 13440000

HALYARD CLEAT 10730000  
RIVET 8010121 (2)  
RIVET CAP 8011291 (2)

DOWNHAUL CLEAT 10730000  
SCREW 8030111 (2)  
NUT 8051301 (2)

MAST STEP PIN 8020451

MAST BASE 38641001  
RIVET 8010131 (3)  
RIVET CAP 8011291 (3)

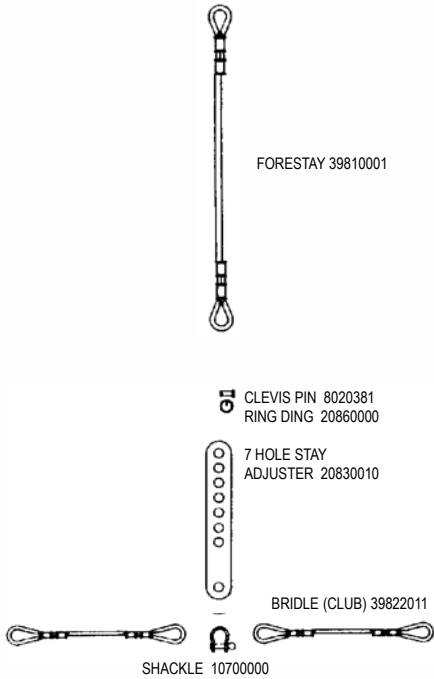
## UPDATE OLDER WAVE TO EZ LOC

- (2) 39312000 EZ LOC RUDDER ASSEMBLY
- (1) 39524001 TILLER CROSSBAR
- (2) 90880211 PINTLE - UPPER
- (2) 90880221 PINTLE - LOWER
- (12) 8030171 SCREW 12-24 X 3/4

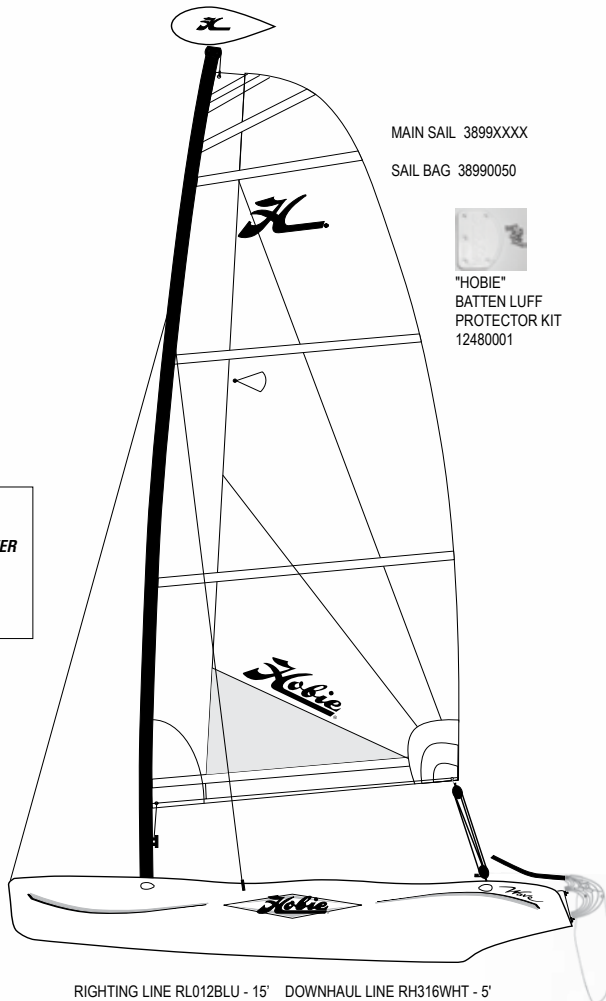
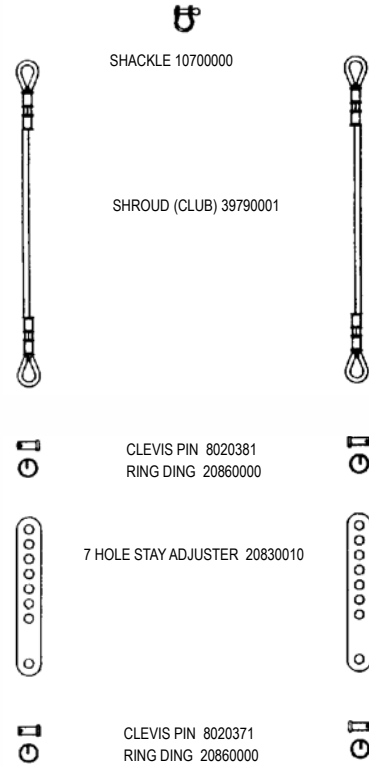
### DANGER:

ALWAYS USE EXTREME CAUTION WHILE RAISING AND LOWERING YOUR MAST, CONTACT WITH A POWER LINE COULD BE FATAL.

## FORESTAY / BRIDLES



## SHROUDS

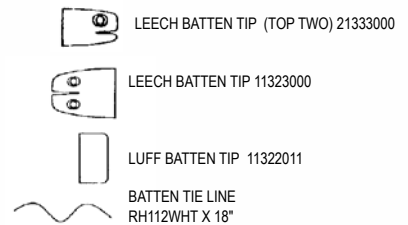


### MAST

**SERIAL NUMBER 1438 AND NEWER**  
MAST ASSEMBLY 38581041  
LOWER MAST 38583141  
MAST BASE (CUP) 38641001

(H16 JIB) BATTEN #5 36"  
(H16 JIB) BATTEN #4 50"  
BATTEN #3 66 7/8"  
BATTEN #2 77 7/8"  
BATTEN #1 82 3/8"

38016001 HOBIE WAVE BATTEN SET  
(FOR INDIVIDUAL BATTENS SEE UNIVERSAL BATTENS IN CATALOG)



"S" HOOK 38900031  
SHACKLE 11220000

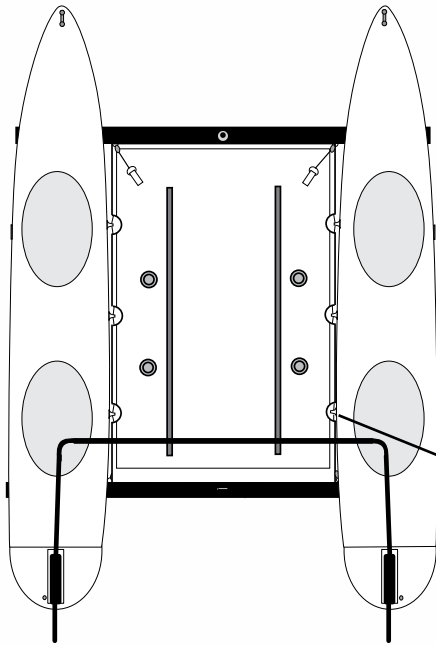
UPPER BLOCK  
38900061

MAINSHEET  
RM516BLU X 35'

LOWER  
BLOCK 38900071  
CAM CLEAT  
RF5001 CAM CLEAT  
RF5005 FAIRLEAD  
8031011 SCREW (2)

## MODEL / YEAR / ACCESSORY VARIATIONS

### CLASSIC WAVE

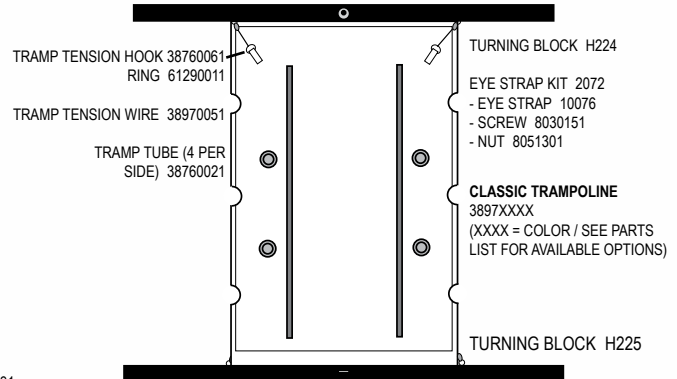


**WAVE CLASSIC WIRES**  
 SHROUD CLASSIC W/HOOKS 38790001  
 FORESTAY 39810001  
 BRIDLE CLASSIC W/HOOKS 38822011

OLDER -  
 TRAMPOLINE ANCHOR HOOK 38760031  
 NEWER-  
 (BOATS WITH TRACKS)  
 TRAMP TENSION SLIDE 38760071  
 STOPPER / FOAM 8003255 12 PCS X 2" (FT)

**TILLER CROSS BARS**  
 39521001 CLUB BOLT (62")  
 39522001 TENDON (62")

ORIGINAL MAST  
 STEP CASTING 10170011

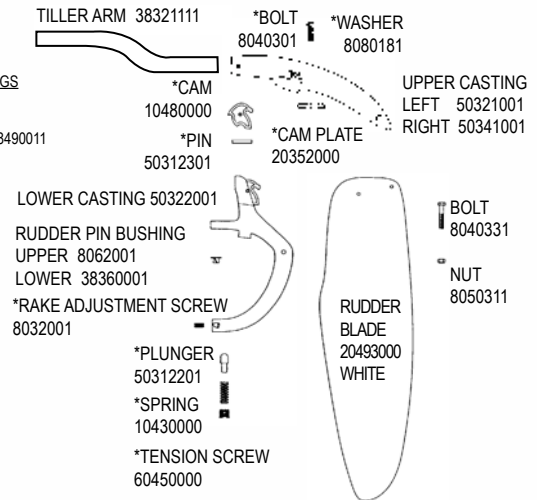


SE LACE ROD 49" 38881011  
 SE VELCRO LACE STRAP  
 (4 PER BOAT) 38970061

### RUDDER ASSEMBLY

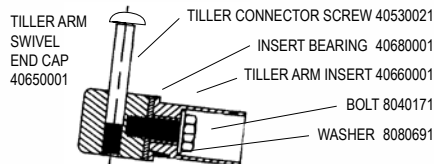
Pre-"EZ LOC" Rudder System

\* = SUB ASSEMBLY PART / INCLUDED WITH CASTING



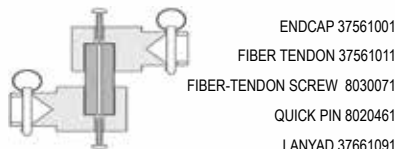
### OLDER TILLER CONNECTOR PARTS

#### CLUB TILLER CONNECTOR (1954 / 1956)



**1956 KIT - CLUB TILLER CONNECTOR**  
 (REPLACES TENDON STYLE WITH CLUB BOLT STYLE)  
**1954 KIT - CLUB TILLER CONNECTOR / UPGRADE FOR EARLY BOATS**  
 WITH ORIGINAL CURVED TENDON CONNECTORS.  
 INCLUDES TILLER CROSS BAR AND ALL TILLER CONNECTOR FITTINGS

#### TENDON TILLER CONNECTOR



**ALUMINUM RUDDER CASTINGS**  
 UPPER PINTLE 38101301  
 LOWER PINTLE 38101401  
 KEEPER PIN W/ LANYARD 38490011

LOWER CASTING 50322001  
 RUDDER PIN BUSHING  
 UPPER 8062001  
 LOWER 38360001  
 \*RAKE ADJUSTMENT SCREW  
 8032001

\*PLUNGER  
 50312201  
 \*SPRING  
 10430000  
 \*TENSION SCREW  
 60450000

BOLT  
 8040331  
 NUT  
 8050311

Wave Rivet Guide ( ) Quantity needed to fasten part

<b>MAST</b>		<b>REAR CROSSBAR</b>	
HEAD	8010131 (2)	PAD EYE	8010181 (2)
HALYARD HOOK	8010181 (2)	<b>FRONT CROSSBAR</b>	
	8011291 (2)	MAST STEP	8011231 (4)
<b>TANG</b>	8010181 (6)	<b>RUDDER ASSEMBLY</b>	
	8011291 (6)	UPPER CASTING	8010131 (2)
HALYARD CLEAT	8010121 (2)	(UNDERSIDE)	8011231 (1)
BASE	8010131 (3)	TILLER END CAP	8010131 (2)

### MAST

**SERIAL NUMBER 0 THROUGH 1437**  
 OLD MAST ASSEMBLY NLA (SEE  
 NEW STYLE REQUIRES MAST STEP  
 RETROFIT.  
 MAST BASE (HOBIE14 STYLE)  
 10640011

### COMMON ACCESSORIES

BOW SPREADER 389990021  
 END CAP 38950011  
 BOW SPREADER TANG 38120041  
**SEAT BACKREST KIT 38040011**  
 BACKREST INSTALLATION QUICK PIN 8020181  
 BACKREST PLUG, FORWARD 38660011  
 BACKREST PLUG, AFT 38660031  
**MAIN TRAVELER KIT (CLUB) 39250000**  
 HIKING STICK KIT (EZ LOC) 39550001